



UFO LED Highbay Light

BRIGHTEN YOUR LIFE

NEW LED TECHNOLOGY THAT ALLOWS THE
COEXISTENCE OF ENVIRONMENTAL
PROTECTION AND ENERGY SAVING

Benefits

1. Replace conventional Highbay Lights.
2. Precision Die Cast Aluminum Housing.
3. Fade Resistant Powder Coat Finish.
4. Easy Installation.
5. Without power supply, IC driver, single voltage 120V, 240V, 277V.
6. CE ROHS listed.



100W



150W



200W



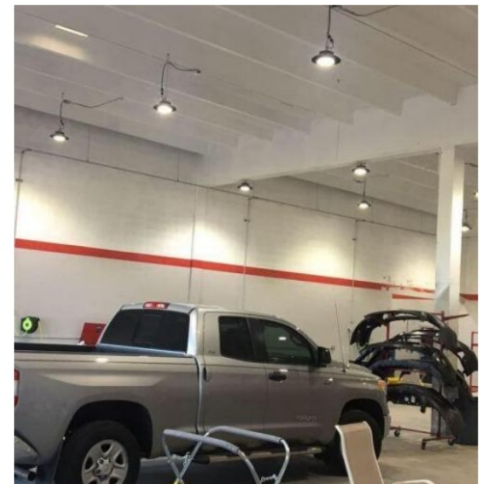
Features

1. Beam angle:60 90 110 degrees.
2. Aluminum die-casting heat sinks is good for heat dissipation.
3. It's major to replace the conventiona highbay light.
4. Green, energy saving, long and reliable life of 50,000 hours.
5. No RF interference, No IR/UV radiation ,no mercury pollution.
6. Wide colour availability in degrees Kelvin(K),2700-6700K.
7. Streamline exterior design, beautiful appearance.
8. Environment friendly ,energy saving (70~80%).
9. Special circuit design, each LED work separately, avoiding the single broken LED influence problem.



Application

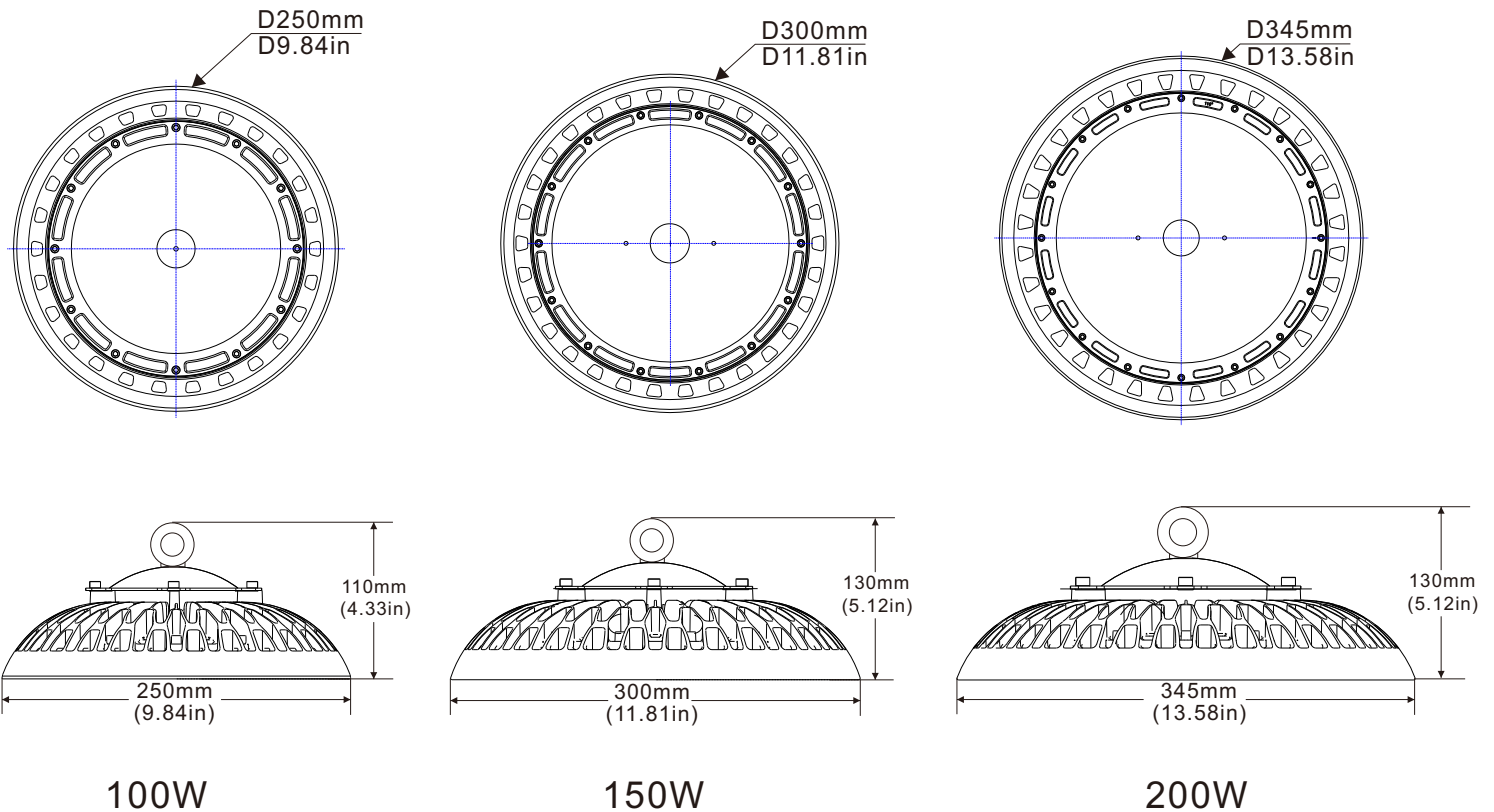
1. Parking areas Lighting.
2. Ceiling Lighting.
3. Warehouse Lighting.
4. High/Low Bay Lighting.



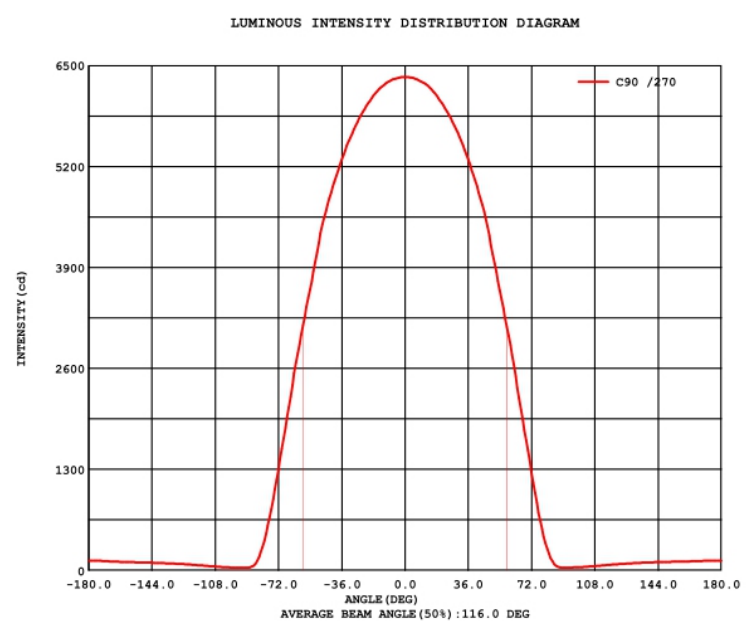
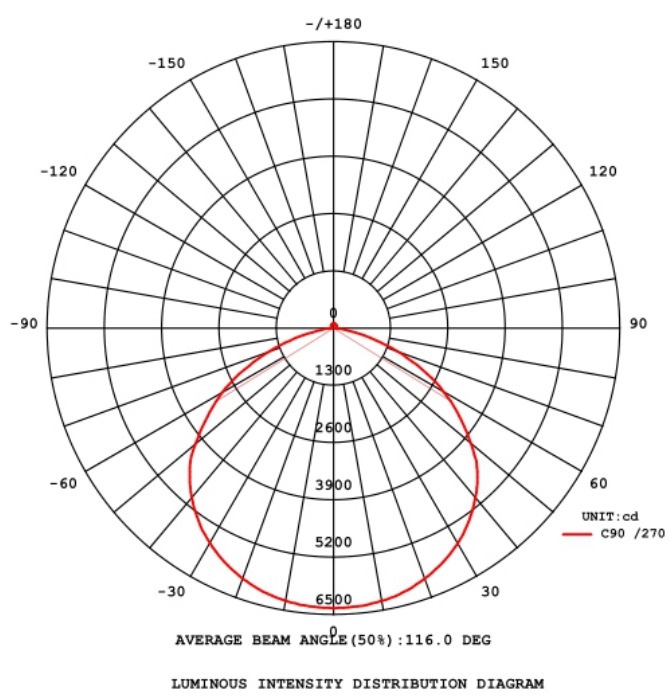
SPECIFICATIONS

Power	100W	150W	200W
Model	BB-GKD-100W-E5	BB-GKD-150W-E5	BB-GKD-200W-E5
Luminous Flux	13000lm	19500lm	26000lm
Replacement	HPS 300W	HPS 450W	HPS 600W
Accessories	Different installation accessories:A-Bracket;B-Bracket and Ring		
Light Source	SMD LED		
Luminous Efficacy	130lm/W		
Operation Temp.	-40 to +45°C		
CCT	2700K SW / 3000K WW / 4100K NW / 5000K DW / 5700K CW / 6500K SCW		
CRI	70+		
Life Span	50,000 hours at 25°C		
Voltage	Single voltage 120V, 240V,277V,optional		
Driver	Without power supply,IC Driver		
Dimming	No		
Beam Angle	120°		
Cover	Glass		
IP	65		
PF	>0.95		
Warranty	5Years		

DIMENSIONAL DRAWING



LUMINOUS INTENSITY DISTRIBUTION



PROJECTS

By using our 100W Highbay Light to replace 300W Metal Halide bulb for warehouse high bay lighting fixtures, the customer is now able to save a lot per month from his electric bill.



Replace
➔



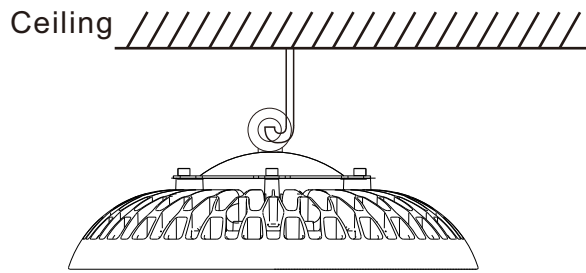
100W LED = 300W MH

Note:

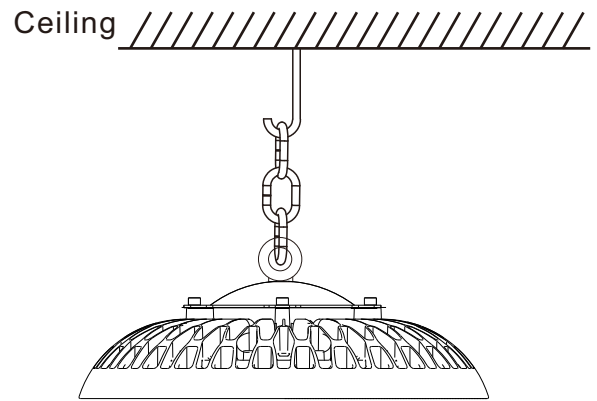
- Don't take the LED lamp apart.
- The LED lamp must work under the right voltage according to the specification.

INSTALLATION

UFO LED Highbay Light has three kinds of installation:



1.The suspension loop



2.Suspension chain

PACKING INFO



Packaging	Carton Size(mm) (L*W*H)	N.W	G.W	Volume weight
1pc/CTN(100W)	280*160*280mm	1.5kg	2.3kg	2.5kg
1pc/CTN(150W)	330*180*330mm	2.2kg	3.2kg	4.0kg
1pc/CTN(200W)	370*170*370mm	2.7kg	3.7kg	5.0kg