

# PG230

## Parking Garage Canopy Series

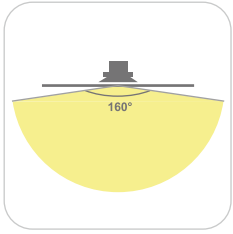
30W / 50W



### Specifications

Wattage	30W / 50W
LED Chip	HongLi 2835
Driver Brand	Meanwell / SOSEN
CCT	3000K / 4000K / 5000K / 6000K
Efficiency	130lm/w
AC Input Voltage	100~277V
Light Distribution	160°
Thermal Management	Temperature rise < 35°
Ambient Temperature	-40°C ~ 45°C(-40°F~113°F)
Dimming	0~10V
Total Harmonic Distortion	< 20%
Lifetime	50,000H
IP Rating	IP65
Warranty	5 years

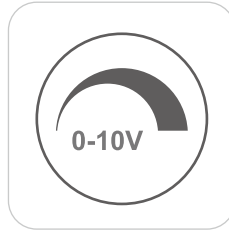
## Features



Beaming angle 160°



Anti-glare



0-10V Dimming

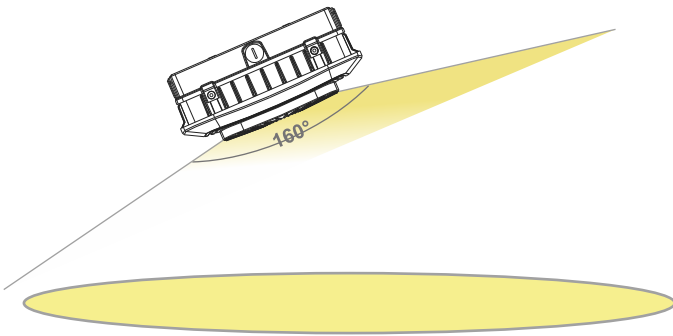


Microwave Sensor

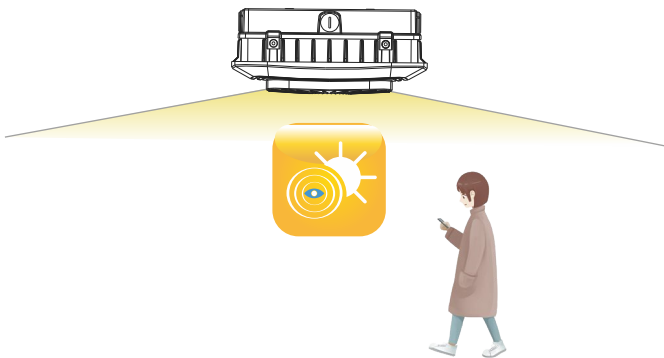


ADC12 Die casting

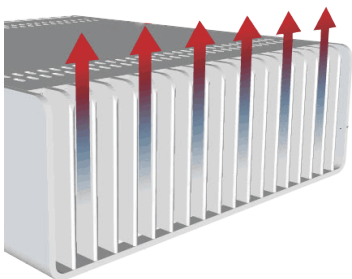
160° light distribution angle, larger irradiation area



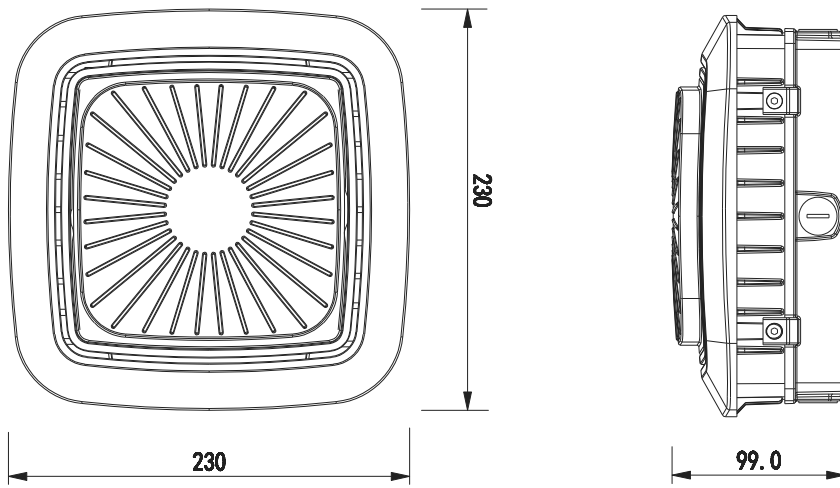
Anti-glare, reducing the light pollution and be friend to human eyes



6030 aluminum die casting, fine heat dissipation



## Product Size



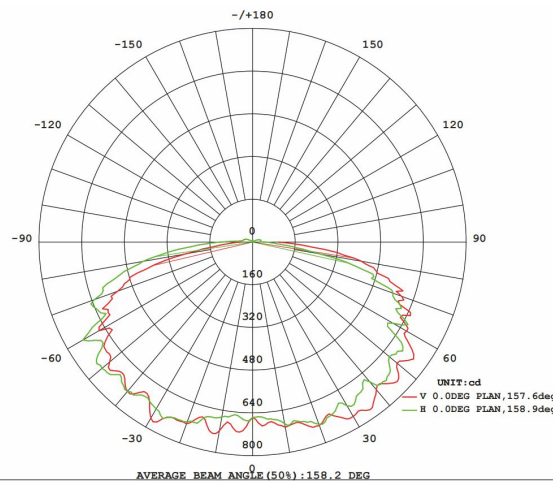
## Applications



Gas Station

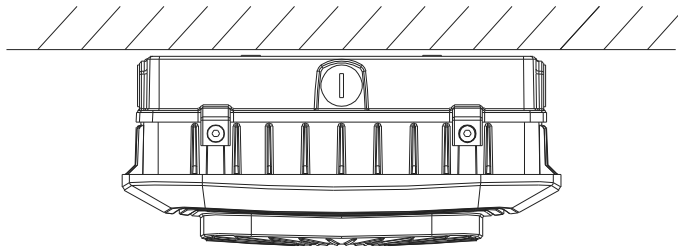
## Light Distribution

160 degree

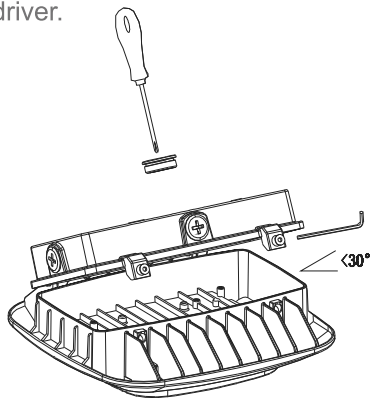


# Installation

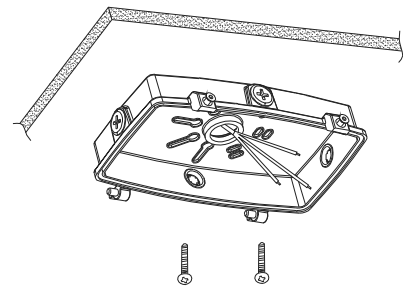
## Ceiling Mounting



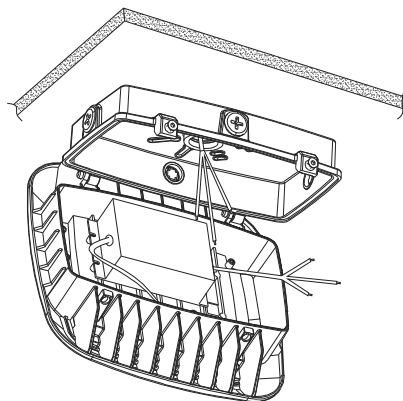
1. Open driver box, separate the back part (driver box cover) from the front part (lamp body), loose 3/4 inch plug on the driver box cover with a screwdriver.



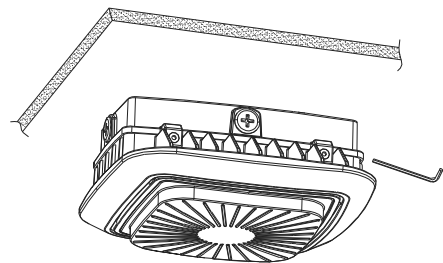
2. Get supply cord through the 3/4 inch hole, then attach driver box cover to ceiling and fix it with customer supplied hardware, take relevant waterproof measures to make sure no water leakage.



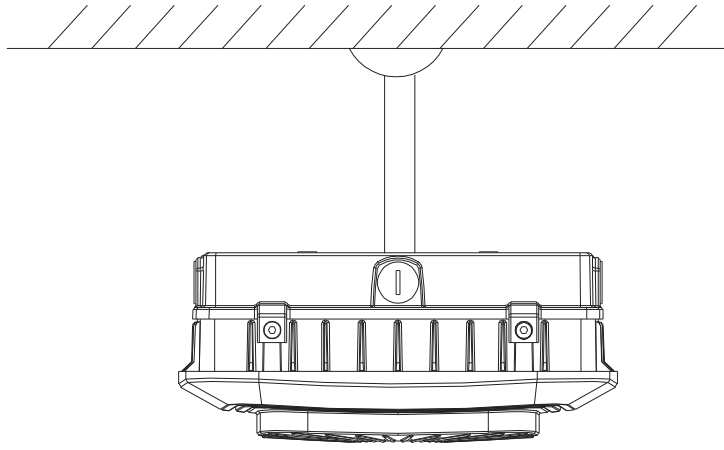
3. Hang the lamp to the driver box cover, then let it fall naturally, connect the cord to the supply wiring. Set the dimming motion sensor if there is one.



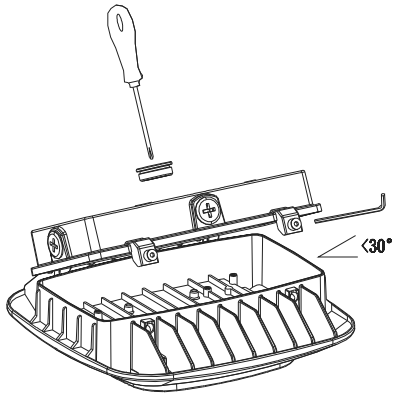
4. Close the fixture and fix the two parts with Allen wrench



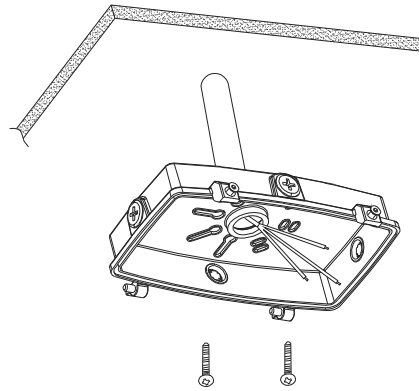
## Pendant Mounting



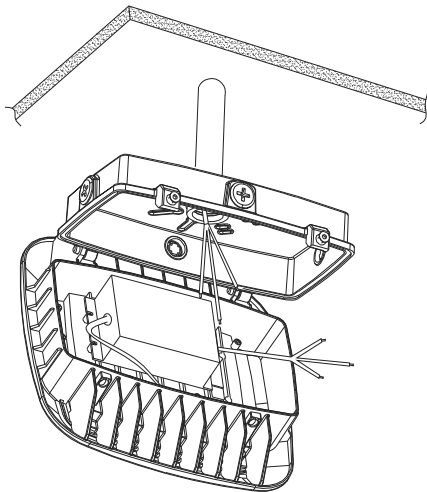
1. Open driver box, separate the back part (driver box cover) from the front part (lamp body) , loose 3/4 inch plug on the driver box cover with a screwdriver.



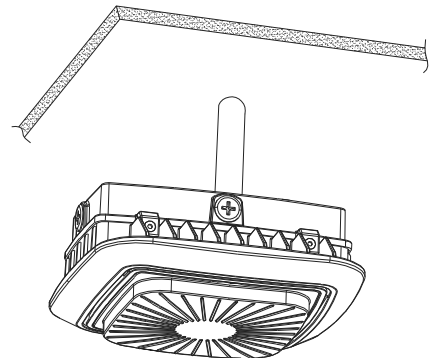
2. Feed power cord thru customer supplied pendant kit, then attach driver box cover to pendant kit , rotate the pendant kit unit it is tighten and locks securely



3. Hang the lamp to the driver box cover ,then let it fall naturally , connect the cord to the supply wiring. Set the dimming motion sensor if there is one.



4. Close the fixture and fix the two parts with Allen wrench



## Packaging information

Wattage	Product Dimension(mm/in)	Carton Box Dimension	N.W (Kg/lb)	G.W (Kg/lb)	One Carton
30W	230 x 230 x 98.5 mm 9.06 x 9.06 x 3.88 in	560 x 265 x 280 mm 22.05 x 10.43 x 11.02 in	10.5Kg(23.15lb)	11.2Kg(24.69lb)	1 PCS
50W	230 x 230 x 98.5 mm 9.06 x 9.06 x 3.88 in	560 x 265 x 280 mm 22.05 x 10.43 x 11.02 in	10.9Kg(24.03lb)	11.7Kg(25.79lb)	1 PCS

