

TP350

Post Top Lantern

30W / 50W / 60W / 80W / 100W / 120W



Specifications

Wattage	30W / 50W / 60W / 80W / 100W / 120W
LED Chip	SMD 3030
Driver Brand	Meanwell / SOSEN
CCT	3000K / 4000K / 5000K optional , 30K / 40K / 50K selectable
Light Output	3000lm / 5000lm / 6000lm / 8000lm / 10,000lm / 12,000lm
Efficacy	100 LM/W (Can customize higher LM/W if needed)
AC Input Voltage	100~277V
Light Distribution	TypeIII , TypeIV and TypeV
Mounting Height	3 meters to 8 meters
Thermal Management	Temperature rise < 35°
Ambient Temperature	-40°C to +45°C(-40°F to +113°F)
Dimming	0-10V
Total Harmonic Distortion (THD)	<20%
Lifetime	50,000H
IP Rating	IP65
Warranty	5 years

Features



CCT Select



Power Select



Motion sensor

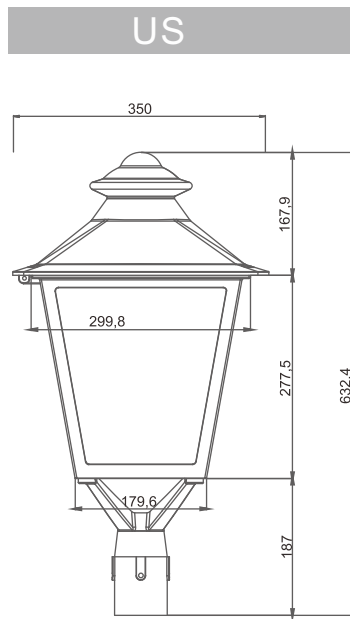


Photocell sensor

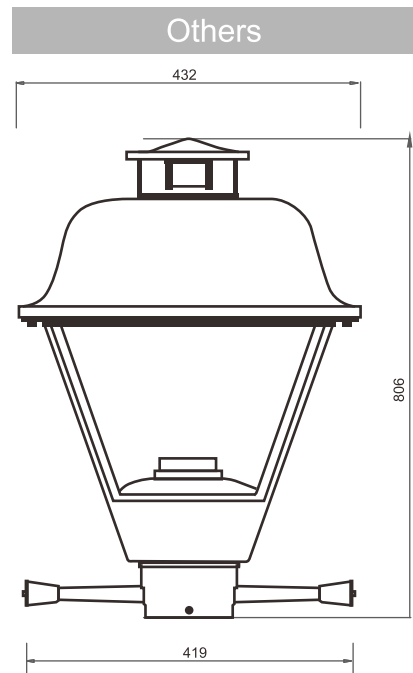


ADC12 Die casting

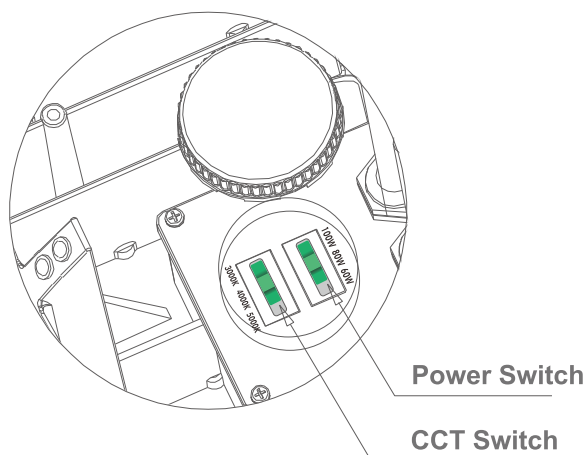
Smaller in size, saving shipping cost



VS



CCT Select & Power Select



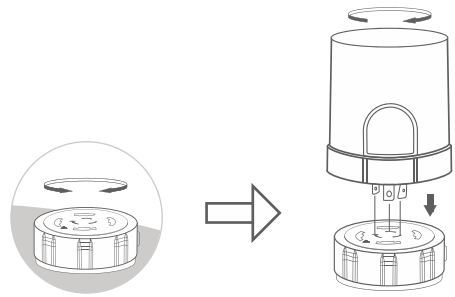
Photocell Sensor

It is a Standard Three-Prong Twist Lock Photocell which is installed on the top of the Fixtures.

Once the photocell is installed, the area light will automatically turn on and off, dusk to dawn.

Daylight (ambient light threshold) adjustable:

10lux / 30lux / 50lux / 100lux / 150lux / 200lux / 300lux / Disable



Photocell and Microwave sensor all in one (Photocell sensor function can be closed)

This motion sensor allows extra energy savings without compromising convenience.

With its signature 3-step dimming function, it is perfect for use in areas that require a light change notice before optionally switching off the light.

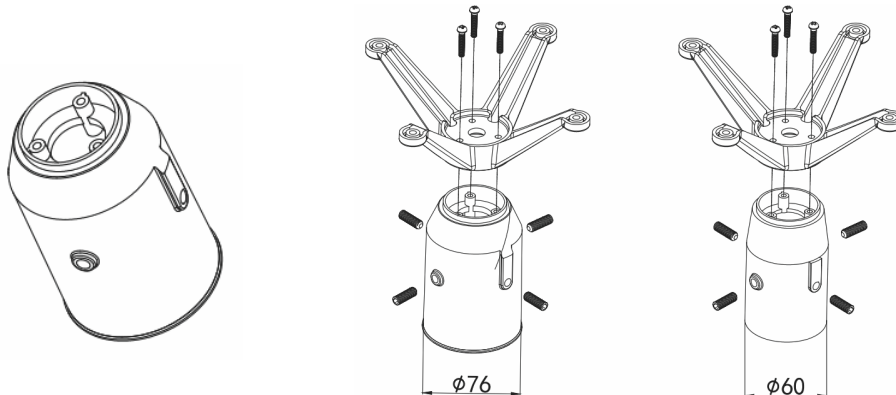
Daylight(on/off)

Stand-by period adjustable: 1min / 30min / 1h / infinity 0% / 20% / 30% / 50%

Holding Time adjustable: 5s / 1min / 5min / 10min / 15min / 20min / 30min / 1h



Offering two mount base: 2 3/8 inch and 3 inch



Frosted glass lens and transparent glass lens and PC lens for optional



Frosted glass



Transparent glasses



PC

Applications



Yard



Wall

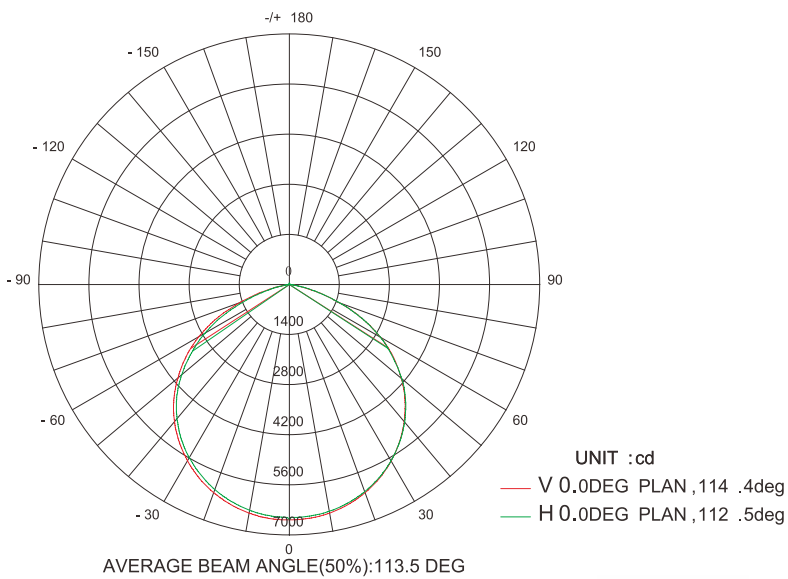


Park



Roadway

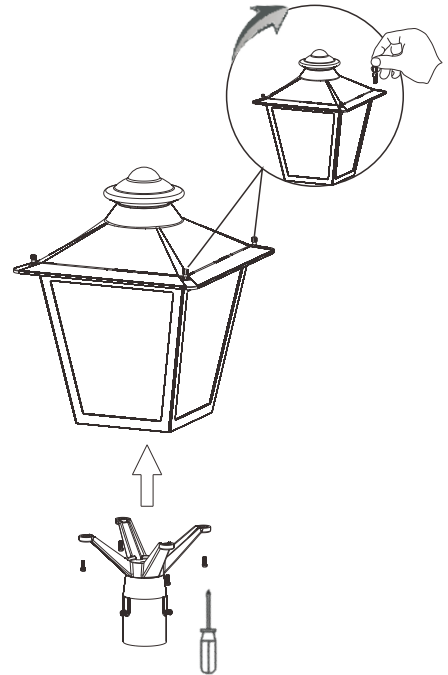
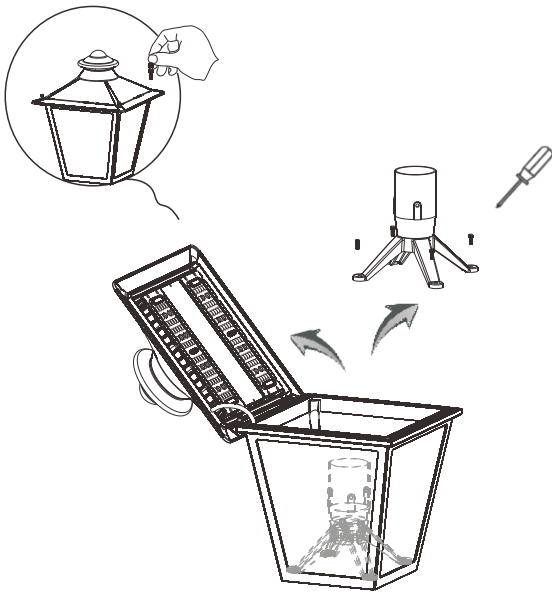
Light Distribution



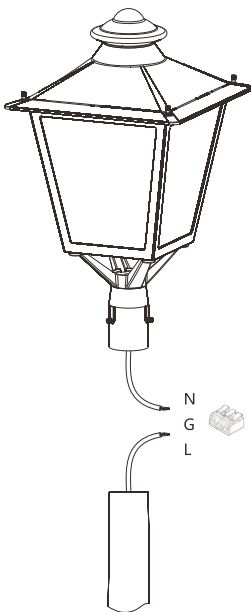
PAR Distribution

Note: If mount base is pre-installed, Please skip step 1 and 2, just follow step 3 and 4

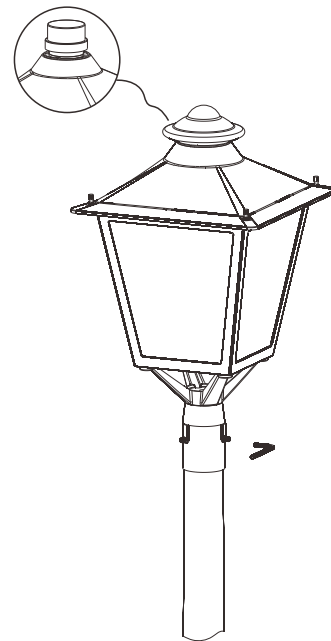
- 1) Remove four screws from top roof, open it and get the mount base out.
- 2) Get the cord through the middle hole of mount base, then attach the mount base to bottom of the fixture, align the screw holes and fix it. Close the top roof and tighten four screws



- 3) Connect the ACL and the ACN from the lighting fixture to the conduit with the AC power supply cords. Follow the wiring diagram provided as below.



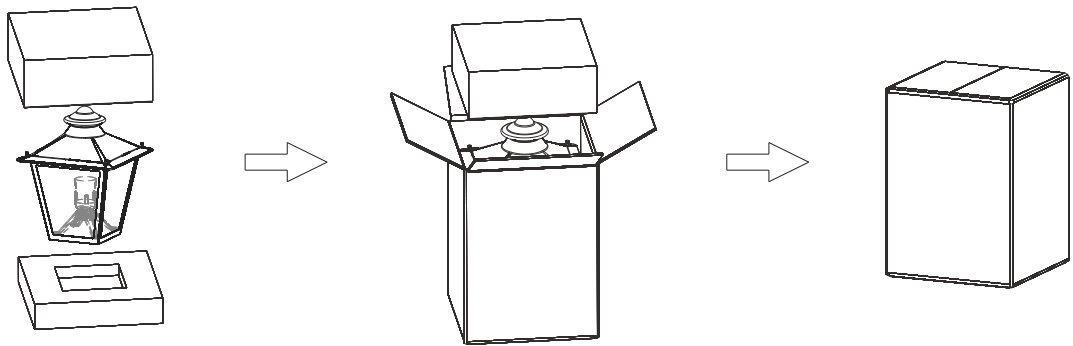
- 4) Slip the fixture over the pole and tighten three screws with the mount bases below.



Packaging information

Wattage	Product Dimension(mm/in)	Carton Box 1 Dimension	Carton Box 2 Dimension	N.W (Kg/lb)	G.W (Kg/lb)	One Carton
30W	350 x 350 x 633mm 13.78 x 13.78 x 24.92 in	400 x 400 x 505 mm 15.75 x 15.75 x 19.88 in	400 x 400 x 660 mm 15.75 x 15.75 x 25.98 in	11.0Kg(24.25lb)	12.0Kg(26.46lb)	1 PCS
50W	350 x 350 x 633mm 13.78 x 13.78 x 24.92 in	400 x 400 x 505 mm 15.75 x 15.75 x 19.88 in	400 x 400 x 660 mm 15.75 x 15.75 x 25.98 in	11.3Kg(25.0lb)	12.5Kg(27.56lb)	1 PCS
60W	350 x 350 x 633mm 13.78 x 13.78 x 24.92 in	400 x 400 x 505 mm 15.75 x 15.75 x 19.88 in	400 x 400 x 660 mm 15.75 x 15.75 x 25.98 in	11.3Kg(25.0lb)	12.5Kg(27.56lb)	1 PCS
80W	350 x 350 x 633mm 13.78 x 13.78 x 24.92 in	400 x 400 x 505 mm 15.75 x 15.75 x 19.88 in	400 x 400 x 660 mm 15.75 x 15.75 x 25.98 in	11.3Kg(25.0lb)	12.5Kg(27.56lb)	1 PCS
100W	350 x 350 x 633mm 13.78 x 13.78 x 24.92 in	400 x 400 x 505 mm 15.75 x 15.75 x 19.88 in	400 x 400 x 660 mm 15.75 x 15.75 x 25.98 in	11.5Kg(25.35lb)	13.2Kg(29.10lb)	1 PCS
120W	350 x 350 x 633mm 13.78 x 13.78 x 24.92 in	400 x 400 x 505 mm 15.75 x 15.75 x 19.88 in	400 x 400 x 660 mm 15.75 x 15.75 x 25.98 in	11.5Kg(25.35lb)	13.2Kg(29.10lb)	1 PCS

Carton Box 1



Carton Box 2

