

LED Post Top Lights

The TP Series Post Top Lights is the fantastic result, they are high performance LED fixtures ranging from 20-100 watt and are available 100-277V and 300-480V.

This series come with 6 main variant:style A-F,to mostly suit the local demand and easier for our customer in making project.

Features:

ETL,DLC and FCC listed

Voltage is 120-277V & 347V-480V

IP65 Waterproof rated

Photocell and SPD available

Type V and Type IV light distribution available

5 Years Warranty

20W 35W 50W and 100W

Efficacy > 120LM/W

Operating temperature is -40 C to 55 C

Installation pole diameter: 60mm and 76mm available

Mounting Advantage: 6 kinds of mounting brackets



100W LED Post Top Light



Applications:

It is mainly designed for Site, hospital, garden, park, area, roadway, car parking lots, plaza lighting, outdoor sports etc, with accurate light distribution design, they have very good uniformity to meet flood lighting requirements for these applications.

Mounting:

Option A : Slip fitter.

Option B2: Arm mount for square pole, angle adjustable.

Option C2: Arm mount for round pole, angle adjustable.

Option D2: Arm mount for square pole, angle adjustable.

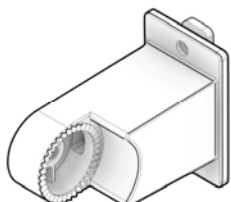
Option E2: Arm mount for round pole, angle adjustable.

Option F: Wall mount. angle adjustable.

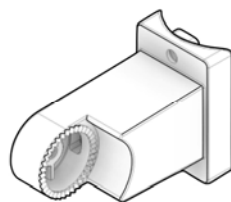


Post top Light with slip fitter

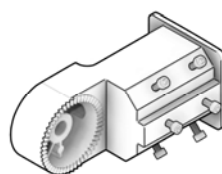
Mounting Options



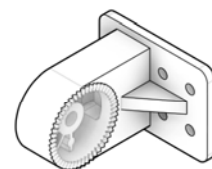
Arm Mount (Square Pole)



Arm Mount (Round Pole)



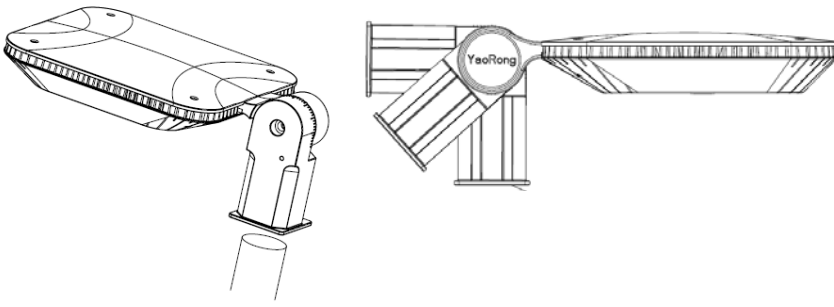
Slipfitter (2.375" O.D.)



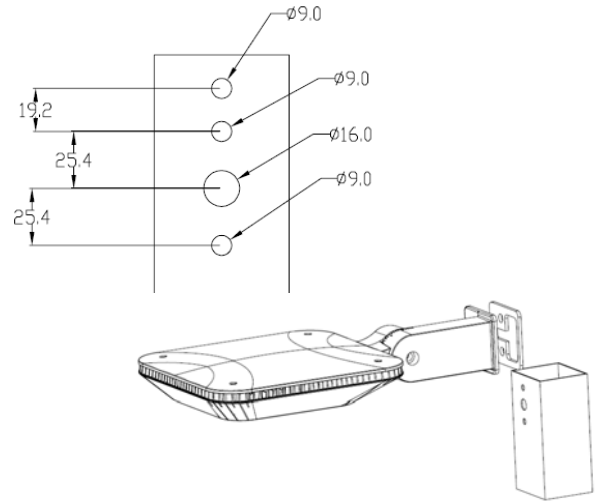
Trunnion Mount

Installation Instruction:

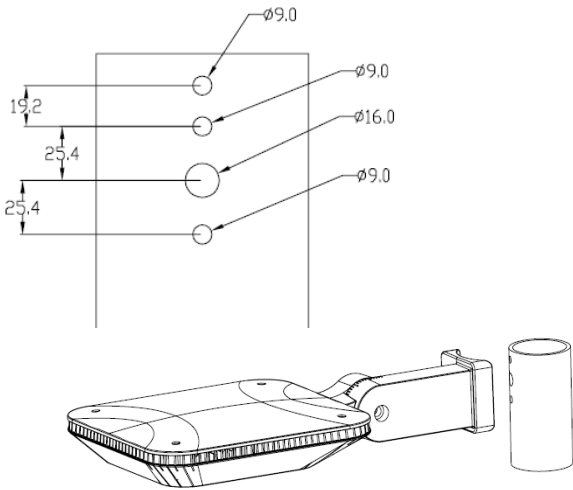
Type A : Pole diameter: $\varnothing 60\text{MM}$



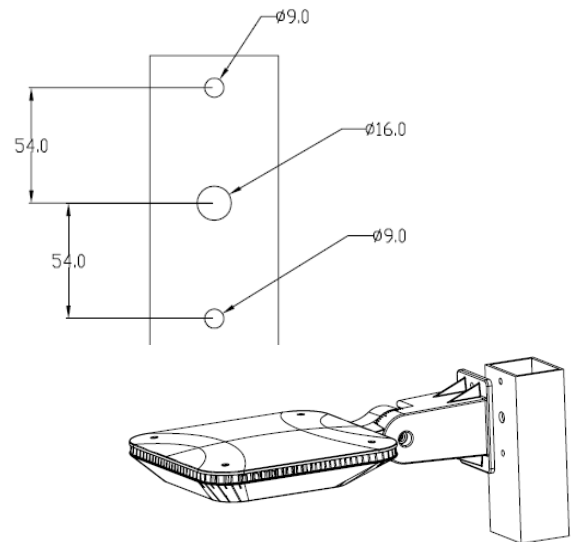
Type B2 :



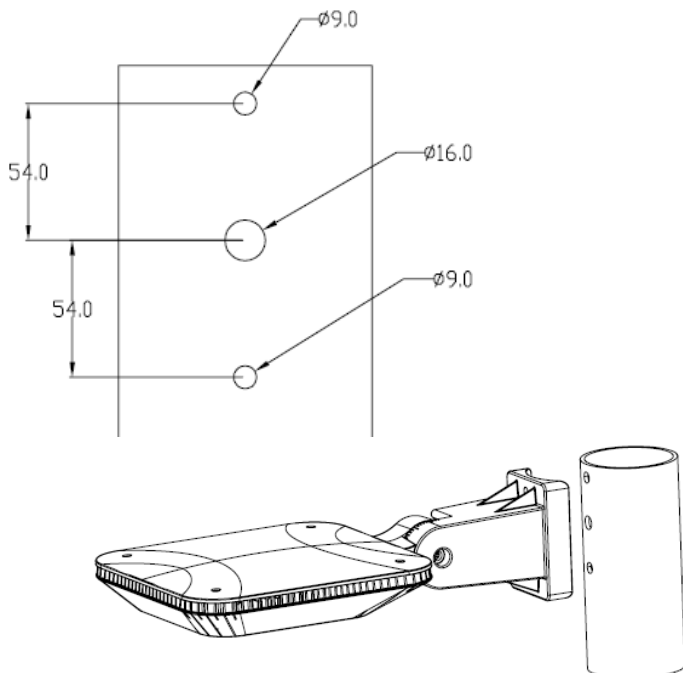
Type C2 :



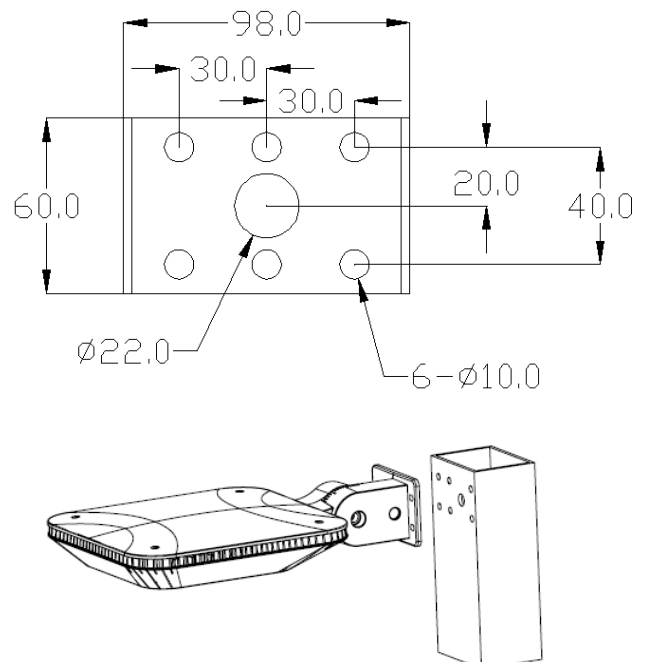
Type D2 :



Type E2 :



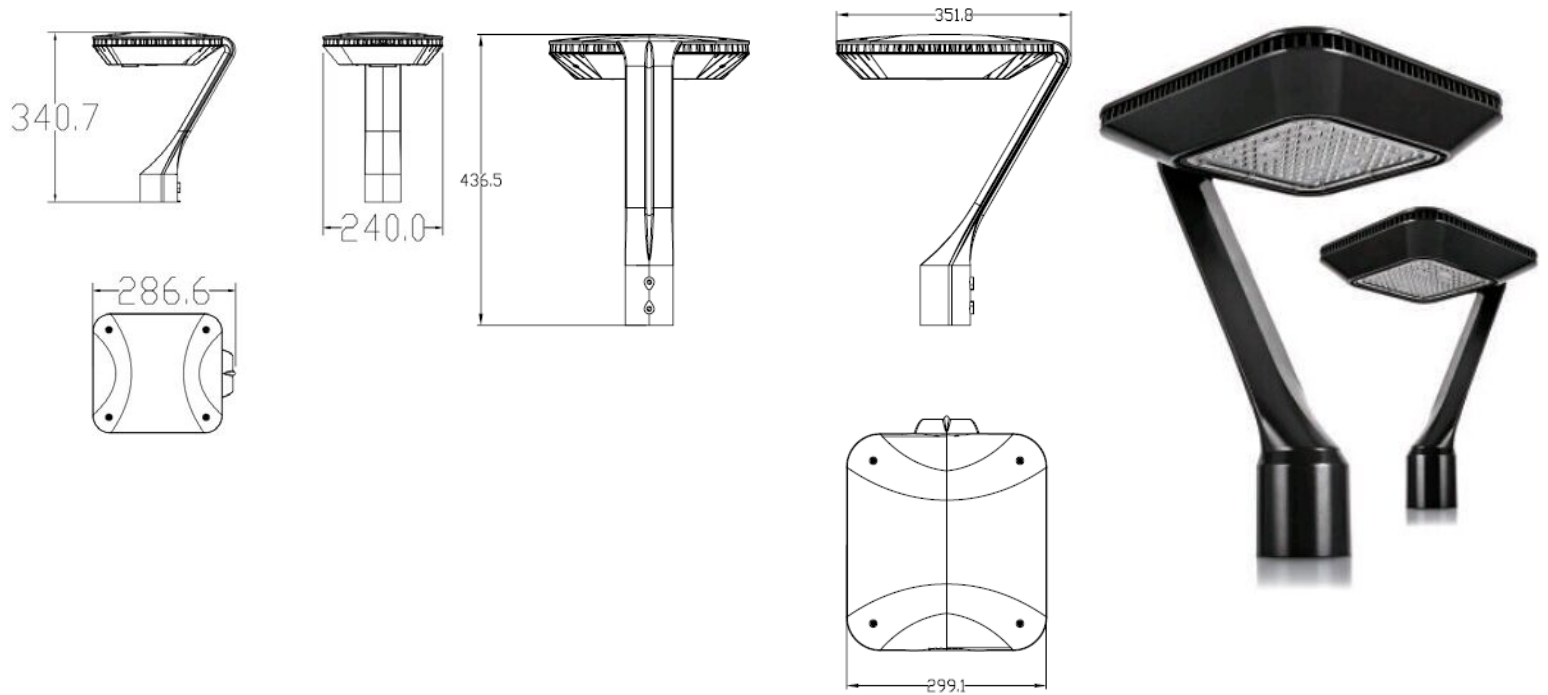
Type F :



Dimension:
Unit: mm

Small size: 20W 35W

Medium size: 50W 100W



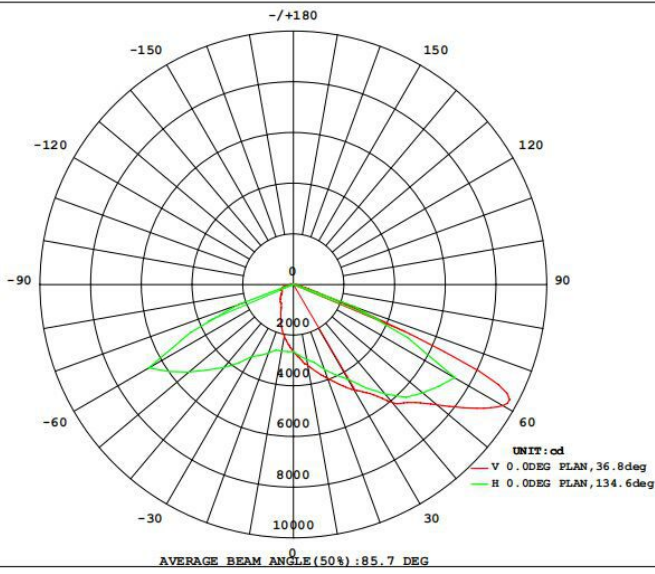
Ordering Number Logic: EXAMPLE: YR-TP325-W100-NP-Y1-Z1

Fixture Type	Wattage	Photocell (option)	Voltage	Mounting
YR-TP260 = The housing of the 20w and 35w YR-TP325 = The housing of the 50w and 100w	-W020 = 20w -W035 = 35W -W50 = 50W -W100 = 100W	-P = Photocell -NP = Without Photocell	-Y1 = 100-277V(SOSEN driver) -Y2 = 100-277V(Meanwell driver) -Y3 = 347-480V(Meanwell driver)	-Z1 = stands a regular vertical installation -Z2 = Mounting available (Slipfitter, Square pole mounting and Round pole mounting)

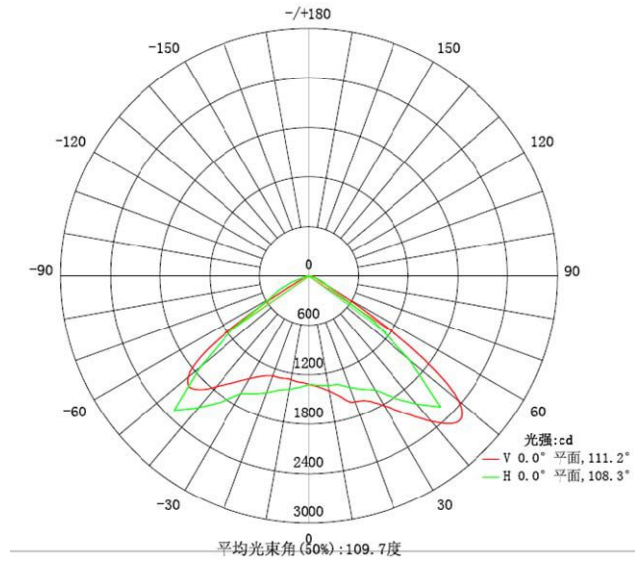
Note: 1, The 100-277V Meanwell driver are limited to 50W and 100W only
 2, The 347-480V Meanwell driver are limited to 50W and 100W only

Photometric:

Type IV




Type V



Mounting Information:



Adapter	8 kinds
Photocell	

Installation diameter: 60mm or 76mm options

