

# LED High Bay

## UFO-C

### FEATURES

**INTENDED USE:** The Lighting UFO LED High bay is an affordable LED solution for users who prefer a luminaire with the look and feel of a round form factor. It delivers comfortable and uniform lighting from mounting heights up to 33ft.

**CONSTRUCTION:** It features a black die-cast aluminum housing. Dark powder coat corrosion resistant finish provides long hours salt fog rating. Corrosion resistant external hardware standard.

**OPTICS:** Placement, spacing, and aperture of LEDs provides a 120 degree spread of light.

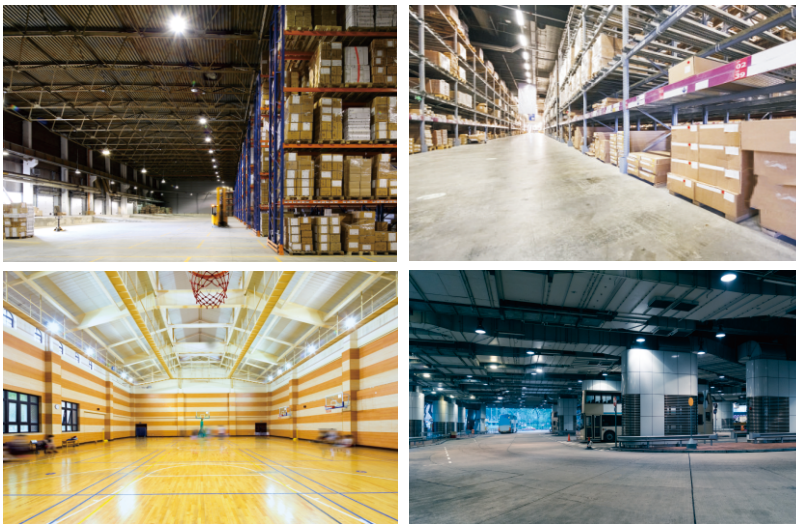
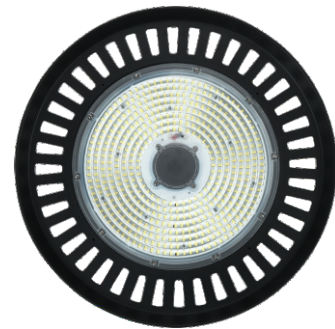
**ELECTRICAL:** High-efficiency LEDs. Input voltage is AC (120-277V) or AC (120-347V).

**LISTINGS:** UL / cUL / DLC / IP65. UL/c-UL listed to US and Canadian Safety Standards. Wet location listed. For use under covered ceilings. For safe use in ambient temperatures from -40°F (-40°C) to 131°F(+55°C).

**WARRANTY:** 5-year limited warranty against defects in manufacturing.

**APPLICATION:** Warehouse, airports, exhibition centers, shopping centers, supermarkets, stadiums, toll stations, subways, etc.

**NOTE:** Actual performance may differ as a result of end-user environment and application.

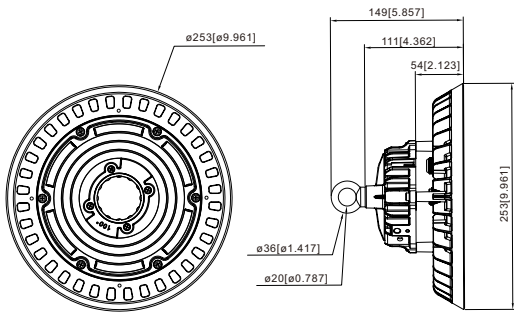


U-	xxxW	Ci	Y	Z	T	X	X
UFO Light	80-300W	C Represents Series C	Y=N, Represents Non-dimmable Y=D, Represents Dimmable	Z Represents CCT 27=2700K, 30=3000K, 40=4000K, 50=5000K, 57=5700K, 65=6500K	T=D60 Represents 60° T=D90, Represents 90° T=D120, Represents 120°	X=A, B No specific meaning	Voltage X=(120-277V), X=(120-347V)

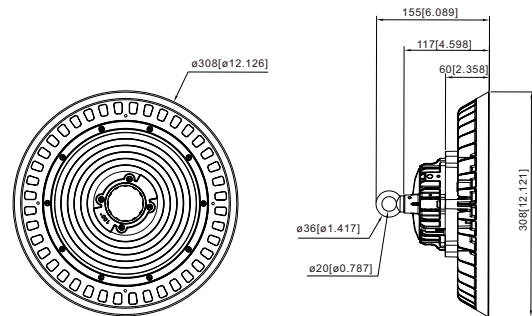
# Technical Data

Model No.	U-80WC1YZTXX	U-100WC1YZTXX	U-120WC2YZTXX	U-150WC2YZTXX	U-200WC3YZTXX	U-240WC3YZTXX	U-300WC3YZTXX
LED Power(W)	80	100	120	150	200	240	300
Light Efficiency One	130lm/W						
Beam Angle	90°						
Input Voltage	100-277V/ 120-347V						
Lumen(Lm) One	10400	13000	15600	19500	26000	31200	39000
Product Size(mm)	φ253×149	φ253×149	φ308×155	φ308×155	Ø353×H160	Ø404×168	Ø404×168
CRI	>80						
PF	>0.9						
CCT	3000K / 4000K / 4500K / 5000K						

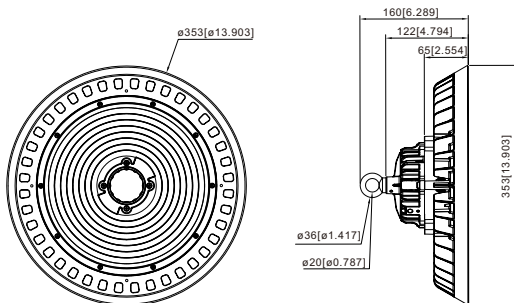
## Dimension(mm/inch)



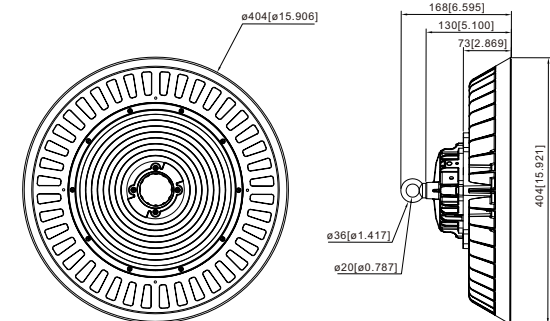
80/100W



120/150W

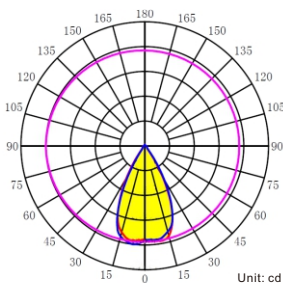


200W

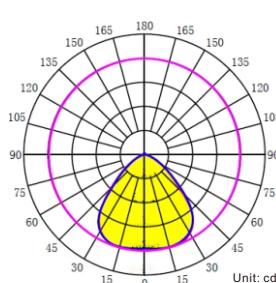


240/300W

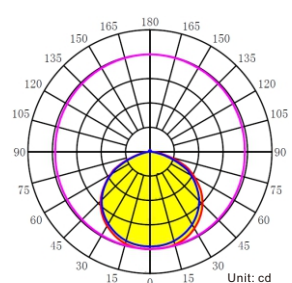
## Photometric Data



Average Beam Angle(50%): 54.5 Deg  
— C0-C180 — C90-C270 — G7



Average Beam Angle(50%): 91.5 Deg  
— C0-C180 — C90-C270 — G17



Average Beam Angle(50%): 119.2 Deg  
— C0-C180 — C90-C270 — G3

## Package Information

Model	Wattage(W)	Product Weight	Package Weight	Package Size(L×W×H)	PC/Carton
C1	80/100	1.86KG	2.26KG	310×310×170mm	1
C2	120/150	2.67KG	3.07KG	330×330×170mm	1
C3	200	3.26KG	3.76KG	370×370×170mm	1
C4	240/300	5.10KG	5.70KG	420×420×170mm	1